

LOOP POWERED LCD DIGITAL PANEL METERS

3 1/2 Digit LCD Display with Loop Powered Adder Board



Features:

- Low-cost, high-performance replacement for many OEM DPMs
- Snap-in bezel mount eliminates mounting hardware
- Resistant to RF and EMI
- 3 1/2 digits with high-contrast LCD Display
- 4- 20 mA loop powered input

Specifications:

Display:	
Digits:	3 1/2 digits (± 19999 counts)
Type:	0.5" (12 mm) 7 segment LCD
Polarity:	Automatic, "-" displayed
Decimal Points:	3 position, user selectable
Overload:	Three lower order digits blank for inputs >1999
Inputs:	
Ranges:	4-20mA DC
Configuration:	Bipolar Differential
Impedance*:	300 Ω nominal
Performance:	
Accuracy:	$\pm(0.1\% \text{ fs} + 2 \text{ count})$
Conversion Rate:	3 per second
Normal Mode Rejection:	>30 db @ 60 Hz
Common Mode Range:	$\pm 1\text{V}$ DC max
Common Mode Rej.:	>86 dB
Adjustments:	Span (gain) and Zero (offset)
Warmup:	10 minutes typical
Temperature Coeff.:	± 100 ppm per $^{\circ}\text{C}$ typical
Environment:	
Operating Range:	0 to 50 $^{\circ}\text{C}$
Storage Range:	-20 to 70 $^{\circ}\text{C}$
Power Supply:	
	Powered by the Milliamp Control Loop
Mounting:	
	Snap-in Bezel mount
Connection:	
	2 screw terminal

*Impedance is rated at 24 Vdc and 20mA. Exercise caution to avoid too much impedance in the current loop. Most transmitters are rated 500 to 750 Ω .

Ordering Information:

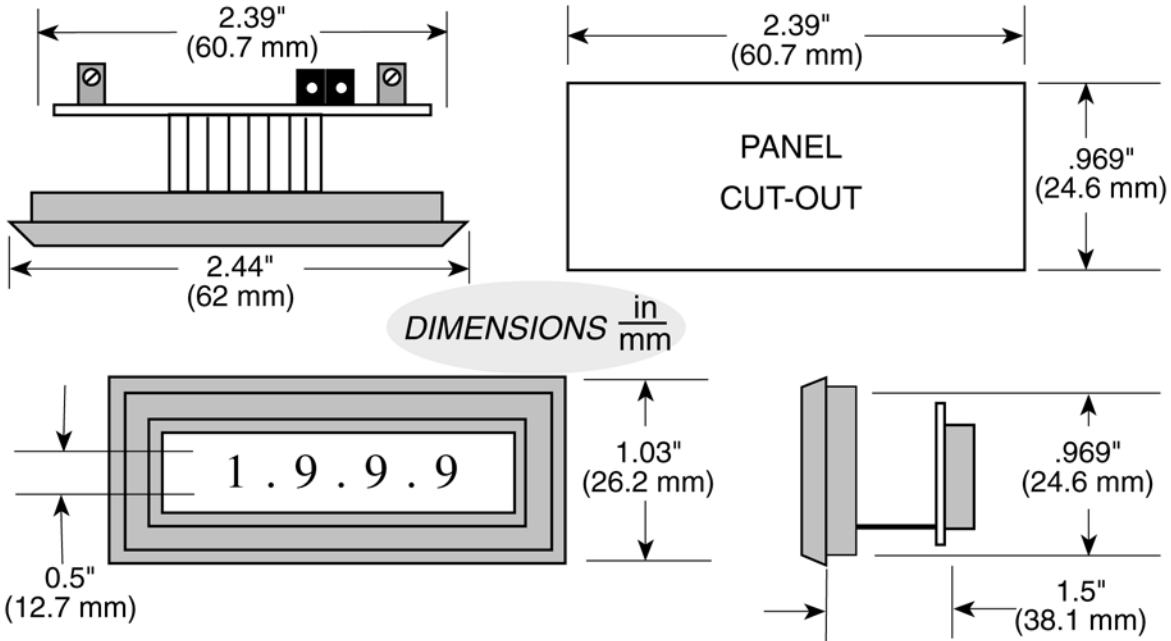
Snap-In Bezel Mount:
DK590

PW2-24Regulated 120V AC to 24V DC Adaptor



C-TON Industries • PO Box 10129 • Bedford, NH, 03110 • USA

Dimensions



Wiring

